



# **HD5 Black Insert V2 2022 Compliant Stove**

## **Installation and Operating Instructions**

**Please fix label with serial number of stove  
before putting manual into stove**

Please hand these instructions to the stove user when the installation is complete. Leave the stove ready for operation and instruct the user in the correct use of the appliance and operation of controls.

**Important:** – This product must be installed by a suitably qualified installer.

### **Heat Design**

30 – 60 Hawthorn Road  
Western Industrial Estate  
Naas Road  
Dublin 12

[www.heatdesign.ie](http://www.heatdesign.ie)



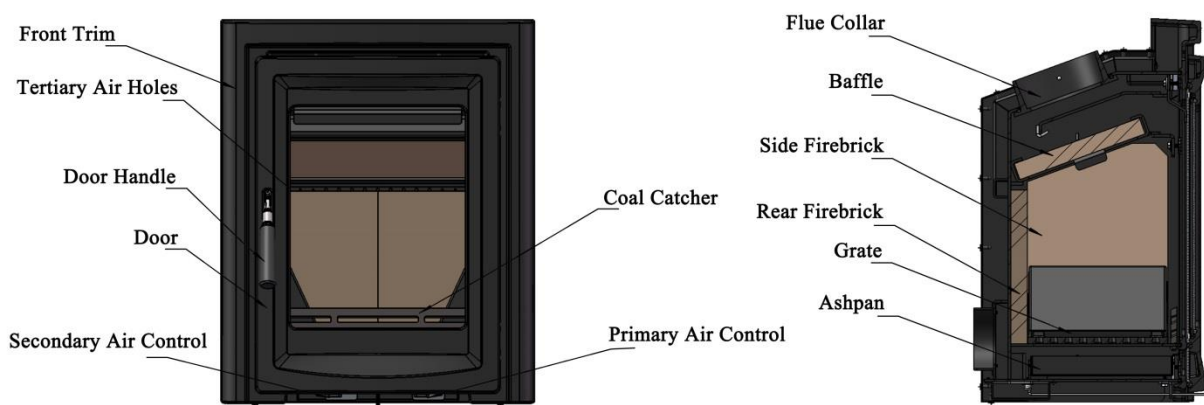
**PLEASE READ ALL THESE INSTRUCTIONS CAREFULLY!**

**For safety reasons it is essential that your stove is correctly installed and operated. Heat Design cannot accept responsibility for any fault or consequential problems arising through incorrect installation or operation.**

## TABLE OF CONTENTS

<b>Section</b>	<b>Page No</b>
1. Component Identification and Assembly	2
2. Stove Commissioning Checklist	3
3. Installation Instructions	4
Warnings and important safety information	4
Health & Safety Precautions	4
4 Installation Information	5
4.4 Fitting the Stove	7
5. Technical Data	8
6. Operating Instructions	9
6.1 Air controls	9
6.2 Cleaning	10
6.3 Fuels	10
6.4 Notes on Wood Burning	10
6.6 Lighting the stove	10
6.7 Re-fuelling	11
6.8 Shutting down	11
6.9 Maintenance	12
6.10 Seasonal Use	12
7. Safety Notes for your Guidance	12
8. Frequently Asked Questions	14
9. Spare Parts List & Codes HD5 Black Insert	15
10. Guidance Note	16

# 1. Component Identification and Assembly



**Fig 2 – Stove Assembly and controls**

**You're HD5 Black Insert Stove is shipped securely packed and strapped. Carefully remove any straps and remove all wood, cardboard and any plastic packaging, open the door and remove all the contents.**

- 1 To remove the lower baffle: First remove the ashtray and coal catcher, then lift and push the baffle forward so it rests on the two support brackets on either side of the stove. Remove the right hand side plate, then remove the grate and left hand side plate. The baffle can be removed now. Take care the back plate does not fall forward, remove if necessary.
- 2.1 Now proceed to install the stove according to these instructions and current installation standards or HETAS advice. The internal parts of the stove can be re-assembled as the reverse of the previous removal instructions. **Always Ref Building Reg's Document J if unsure.**

## **2. Stove Commissioning Checklist**

Please complete the form below as it will be of great assistance in the unlikely event that there is a problem with the stove or a warranty claim needs to be made. Please contact the installer or dealer if there is a problem.

### **Retailer from whom the appliance was purchased**

Name: .....

Address: .....

.....

Telephone Number: .....

### **Complete upon stove installation**

Date of Installation: .....

Model Number: (HD5 Black Insert V2) .....

Serial Number: .....

### **Fitter/Plumber**

Name: .....

Address: .....

Telephone Number: .....

### **Commissioning Checklist – Installer to complete and sign-off**

Stove correctly flued according to building regulations

Flue swept and integrity of flue verified

Smoke test completed on installed stove

Spillage test completed

Use of appliance and operation of controls explained to end-user

Check that specified clearance to combustibles has been adhered to

Instruction manual handed to end-user / Notice plate completed and fixed into position.

Installer Signature: ..... Installer Name (print): .....

## **3 Installation Instructions**

### **READ THESE INSTRUCTIONS CAREFULLY BEFORE INSTALLATION**

It is very important to understand the requirements of the National Building Regulations (England and Wales – Document J / Scotland - Part F/Document J (Republic of Ireland only) and standards BS 8303, BS 6461, BS 7566, along with any local regulations and working practices that may apply. Should any conflict occur between these instructions and these regulations then the regulations must apply.

### **Health and Safety Precautions**

Works must be carried out with care to meet the requirements of Health and Safety (Health and Safety at Work Act 1974) and comply with the Health and Safety rules contained therein, and any new regulations introduced during the lifetime of these instructions.

### **Handling**

Adequate facilities must be available for unloading and site handling. Heat Design Cassette Stoves are very heavily built so always ask for assistance when lifting and siting the stoves.

### **Fire Cement**

Some types of fire cement are caustic and should not be allowed to come into contact with the skin. In case of skin contact, wash immediately with plenty of water.

### **Asbestos**

This stove contains no asbestos. If there is a possibility of disturbing any asbestos in the course of installation then please seek specialist guidance and use appropriate protective equipment.

### **Metal Parts**

When installing or servicing this stove, proper care should be taken to avoid the possibility of personal injury.

### **Important Chimney Warning**

This stove must not be installed into a chimney that serves any other heating appliance.

### **Extractor Fan Warning**

There must not be an extractor fan fitted in the same room as the stove as this can cause the stove to emit fumes into the room. Ref doc J in building regulations.

### **Cleaning and Chimney Sweeping**

**The appliance, flue & chimney must be cleaned and checked internally and externally regularly when in use and especially after a period on disuse (e.g. after summer).** Lift down the baffle regularly to check for build-up of soot or debris on the top from the flue pipe. Remove the baffle and check the flue spigot and connector is fully clear at regular intervals (Monthly). The chimney and flue connector must be swept annually. Any loose, broken or leaking joints or flue ways **MUST** be repaired immediately.

### **Fuels**

Only use recommended fuels. The appliance can be damaged by burning petroleum coke, liquid fuels or general rubbish and this will invalidate your warranty and risk your personal safety. **The appliance must not be used as a rubbish incinerator.**

## **Maintenance**

Annual checking and servicing of the appliance and flue by a competent engineer is necessary for the stove to operate correctly. Inspect the inside of the firebox and above the baffle plate every month during use. **See chimney cleaning section in section 3 Warnings and Important Information. Only use manufacturers recommended replacement parts on the appliance**

## **Ventilation**

Any Room or space containing an appliance should have permanent ventilation opening of free area of 550mm Sq per kw of rated output but in no case less than 6500mm sq where air permeability is greater than 5.0m<sup>3</sup>, or 6500mmsq +550mmsq per kw of rated output above 5 Kw where the air permeability is less than 5.0m<sup>3</sup>. "Note: If there is another appliance using air fitted in the same or adjacent room, it will be necessary to provide an additional air supply." **Ref Building Reg's Document J**

There must not be an extractor fan fitted in the same room as the stove as this can cause the stove to emit fumes into the room.

## **4.0 Installation Information**

### **Chimney**

The chimney height and the position of the chimney terminal should conform to **Building Regulations**. Flue heights should be high enough to ensure sufficient draught to clear the products of combustion. Check that the chimney is in good condition, dry, free from cracks and obstructions. The diameter of the flue should not be less than 150mm and not more than 200mm. If any of these requirements are not met, the chimney should be lined by a suitable method. The chimney must be swept before connection to the stove.

Where the chimney is believed to have previously served an open fire installation, it is possible that the higher flue gas temperature from the stove may loosen deposits that were previously firmly adhered, with the consequent risk of flue blockage. It is therefore recommended that the chimney be swept a second time within a month of regular use after installation.

If you have any doubts about the suitability of your chimney, consult your local dealer/stockist or chimney specialist. If there is no existing chimney then either a solid fuel compatible prefabricated block chimney or a twin-walled insulated stainless steel flue to BS 1856-1 can be used. These chimneys must be fitted in accordance with the manufacturer's instructions and also please refer to the current issues of British Standards BS EN 15287-1:2007 for design, installation and commissioning of chimneys.

### **Flue Draught**

A flue draught of minimum 1.2mm to a maximum 2.5mm water gauge (12 to 25 Pascals) is required for satisfactory appliance performance. The flue draught should be checked under fire at high output and, if it exceeds the recommended maximum, a draught stabiliser must be fitted so that the rate of burning can be controlled to prevent over-firing.

### **Connection to the Chimney**

This appliance is **not** suitable for use in a shared flue. This appliance requires a direct flue connection to the spigot. If practical, an existing fireplace opening can be bricked up or sealed with a register plate and a short length of flue pipe of a minimum 125mm internal diameter may then be used to connect the stove to the register plate in the chimney. This flue pipe should conform to Building Regulations, the connecting pipe is fitted with the spigot. Ensure that the pipe end is no closer than 76mm to the side or rear chimney walls.

If necessary, a hole must be opened up into the flue way above the fireplace in order to fit the appliance to the flue correctly. Please consult HETAS recommended fitting methods if in doubt. It is **essential** that all

connections between the stove and chimney-flue are sealed and made airtight with sealing rope, clamping rings and/or fire cement where required.

Both the chimney and flue pipe must be accessible for cleaning and if ANY parts of the chimney cannot be reached through the stove (with baffle removed), a soot door must be fitted in a suitable position to enable this to be done.

In adverse weather conditions, downdrafts may occur causing smoke or fumes to spill into the room. If this occurs the appliance should be shut down as much as possible by closing the air controls and the room should be ventilated to clear the fumes. If the problem persists seek the advice of a chimney sweep.

## **Material Clearances**

### **Safety Distances from Combustible Surfaces:**

<b>Model</b>	<b>Back</b>	<b>Side</b>	<b>Front</b>	<b>Shelf</b>
HD5 Black Insert	250mm	150mm	1100mm	600mm

This appliance must be installed in a recess which must not contain any combustible materials. Wooden battens and plasterboard should not be used within the clearance to combustibles.

In addition it is strongly recommended that any furniture or other combustible materials are kept at least 1100mm clear from the front of the stove and any mantle is at least 600mm above the stove.

### **Hearths:**

This stove requires a 125mm thick non-combustible hearth beneath them to protect the building. A non-combustible superimposed hearth forming an apron of at least 225mm at the front of the stove and 150mm on either side must also be provided. The superimposed hearth must not be less than 12mm thick and must have a clearly defined edge (change of level) to discourage placing of any combustible materials on or partially over it. Ensure the chimney system is supported, the stove and hearth should not be supporting the weight of the flue system.

The appliance must be installed on a floor with adequate load-bearing capacity. If the existing construction does not meet this requirement, suitable measures (e.g. load distributing plate) should be provided to achieve it.

The clearance distances to combustible material beneath, surrounding or on the hearth and walls adjacent to the hearth should comply with the guidance on the separation of combustible material given in Building Regulations Approved Document J.

## 4.4 Fitting the stove

### Installing the Stove

Please note that each installation is unique to the particular household and it is not possible to give recommendations in this manual to cover every situation. The installation must comply with building regulations and be completed using “Best Practice” methods.

**Note that most fireplaces have a supporting Lintel. Never remove this without first supporting the remaining structure of the building. The stove of flue system must not be used to support the structure of the building.**

#### Fitting a stove into a clay chimney system.

- (i) Remove the baffles, internal plates, and log retainer.
- (ii) It's recommended to drop a 5" flexi – liner down the chimney. Then lift the stove into position taking care not to scratch the hearth.
- (iii) **Ensure the flexi is T600 rated and any adaptors are 1mm stainless steel. ( Ref Irish building regulations doc J ) Always use a minimum of 600mm of 3mm single wall connecting flue between the stove and the flue where possible,** Connect the single to flexi adaptor to the flexi flue then to the 3mm single wall flue, then connect to the collar of the stove. Seal between all joints using fire cement. It is important all joints are airtight for proper operation of the stove.
- (iv) Replace the baffle, internal plates and log retainer by completing step in reverse.

#### Air supply to the stove

**Internal air supply: The Stove is supplied that it takes air from the room to operate correctly.**

**External Air supply:** To change the stove to external air intake, remove the blanking plate at the back of the stove and fit the external air collar. **NOTE:** The maximum run of 4" pipe is 9 meters, and for every 90° bend 1 meter must be deducted from the 9 meters.

## Commissioning and Handover

Upon completion of the installation, allow a suitable period of time for any fire cement and mortar to dry out. A small fire may then be lit and checked to ensure the smoke and fumes are taken from the stove up the chimney and emitted safely to atmosphere.

Notice plate should be filled out with indelible ink and located either (A) next to the electricity consumer unit, (B) next to a gas consumer unit or (C) next to the chimney or hearth.

Advise the customer not to run the stove at full output for at 3 – 4 days. Explain that the stoves can provide much more or less than their rated heat outputs depending upon how they are burnt and fuels and fuel loads used.

On completion of the installation and commissioning, ensure that the operating instructions and operating tools (including glove) for the stove are left with the customer. You must be sure to advise the customer on the correct use of the appliance, along with clear and comprehensive information on any continuing maintenance required for the effective operation of the appliance in order to protect the health and safety of the building occupants. Inform them to use only the recommended fuels for the stove.

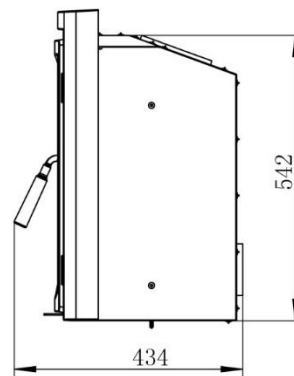
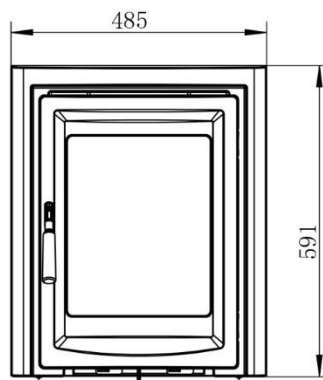
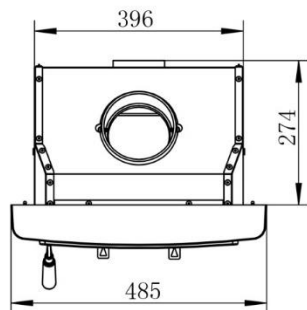
Advise the user on what to do should smoke or fumes be emitted into the room from the stove – see **Safety Notes** section. The user should be warned that they **MUST** use a suitable fireguard in the presence of children, aged and/or infirm persons.



## 5. Technical Data

Technical Specifications		
Fuel	Wood	Solid Fuel
Nominal Heat Output (kW)	4.6	4
Efficiency (%)	83.3	83.8
CO@13% O2	0.12	0.05
No <sub>x</sub>	104 mg/mo <sup>3</sup>	142 mg/mo <sup>3</sup>
C <sub>x</sub> H <sub>y</sub>	105 mgC/mo <sup>3</sup>	19 mgC/mo <sup>3</sup>
Dust	30 mg/mo <sup>3</sup>	9 mg/mo <sup>3</sup>
*Flue Temp: (°C)	194	221
Flue Outlet Size (Inch)	5	5
Max Log Length:	200mm	
	<b>Weight</b> 78kg	
Recommended fuels	Wood / Solid Fuel	Kiln dried / Seasonal wood with moisture content less than 20% / Compressed hardwood logs / Solid Fuel for a closed appliance

\*Average reading at nominal output



## **6 Operating Instructions**

This appliance is not designed for open operation and therefore should **not** be operated with the doors open.

This stove is designed to burn cleanly with high efficiency. When used correctly this stove will burn very efficiently and cleanly with the very useful feature of clean glass. However, for this product to work properly it must be used correctly.

It is **essential** that the stove has an adequate air supply for combustion and ventilation. The primary, secondary and tertiary air inlets must be kept clear from obstruction.

**Warning!** This appliance will be very **hot** when in operation and due care should be taken when operating the controls. A leather glove is provided to assist safe operation.

Do not use an aerosol spray on or near the stove when it is alight.

### **6.1 Air Controls**

#### **Primary Air**

Primary air is controlled via the sliding air control (Right Hand Lever) at the bottom of the stove door. This provides a conventional air under draught to the bed of the fire. The primary air is used when lighting the stove or when the fuel bed goes very low. Once the stove is properly lit the primary air should be fully closed when burning wood. Sliding the control forward increases the primary air while sliding the control back decreases the primary air.

#### **Secondary Air (Airwash)**

The Insert stove has a sophisticated “air wash” system designed to keep the glass clean. The secondary air supply to the stove is controlled via a sliding air control (Left Hand Lever) at the bottom of the stove door.

In order to keep the glass clean always leave this control open some way whilst burning unless the stove is being shut right down for a long period

#### **Tertiary Air**

This preheated tertiary air burns off uncombusted gases in the products of combustion thereby improving efficiency, increasing heat output and decreasing unwanted atmospheric emissions. At certain stages of burning you will notice “jets” of flame emerging near the air holes to the rear of the firebox.

#### **Multi-fuel Grate**

Your Heat Design Stove is fitted with a multi-fuel grate. To de-ash use a poker, ensure that the primary airflow is not impeded, as a build-up of ash from underneath can damage the cast iron grate.

#### **Ashpan**

It is essential that you empty the ash pan every day. Use the thick end of tool to hook onto and lift the ash pan out of the stove. Replace the empty ashpan in the stove making sure to push it fully into place so that all the ash falls into it. **DO NOT allow ash to build up underneath the bed as this may cause damage to the grate. Never operate the stove without the ashpan in place.**

### **6.2 Cleaning**

**Glass:** Despite the advanced air wash system provided, the glass will still need cleaning from time to time depending on the fuel quality and burning rates used. Never clean glass when the stove is hot. Always use stove glass cleaner or ceramic hob cleaner, which is available from your stove retailer. As an alternative, use a wet cloth with some of the wood ash if burning wood but be very careful to use very clean ash so as not to scratch the glass.

**Outer body:** The outer body simply needs to be dusted from time to time. DO NOT use any kind of furniture polish or cleaning agent other than your stove suppliers recommended paint.

**Inner firebox:** Brush the inside of the firebox clean from time to time to check the integrity of the plates and liners etc. It is not normally necessary to re-paint inside the firebox due to the high temperatures that mean that the paint does not have much effect before being burnt off. Steel and vermiculite board liners are resilient firebox materials and will give reliable service without major cleaning or work on the firebox. The liner boards may require replacement fairly regularly depending upon fuel and the type of usage experienced. Lining boards are not covered by warranty, as they are a wearing consumable part.

**Baffle:** It is essential to check the top of the baffle for build up of soot and ash regularly when in use and after a long period of no use. From time to time remove the baffle if necessary to ensure that the flue way entrance is clear.

### **6.3 Fuels**

#### **Wood**

Burn **ONLY** seasoned / Kiln dried timber products with a moisture content of less than 20%. To obtain this moisture content allow cut wood to dry for at least 12-18 months. **Do not burn construction timber, treated or painted wood, manufactured board or pallets.**

#### **Solid Fuel**

Burn only manufactured smokeless fuels listed as suitable for use in a closed appliance. **Do not burn bituminous coal, “petro-coke” or other petroleum based fuels as this will invalidate the warranty.**

### **6.4 Notes on Wood burning**

Loading 1 to 2 medium sized logs will produce a good output with reasonable burn time. The stove will need to be refuelled approximately every 0.75 hours depending on burn rate. Always make sure that flames are visible above the wood after re-fuelling for cleanest burning. Open the air wash full for 2 to 5 minutes to achieve full flames above the fuel. Carefully adjusting the secondary air controls and fuel load will then control the burn rate of the stove. Wood burns most efficiently with the primary air controls closed and the secondary (air wash) controls open about 25%, this setting will give the stoves nominal output.

**See also:** section entitled ‘Lighting the Stove’.

Wood burns best on a bed of ash and it is therefore only necessary to remove surplus ash from the stove occasionally. **If the grate is completely clear, place a few handfuls of ash into the slots in the grate to help the firebed build up.**

Burn only dry, well-seasoned wood, which should have been cut, split and stacked - under protection from rain - for at least 12-24 months with free air movement around the sides of the stack to enable it to dry out. Burning wet or unseasoned wood will create tar deposits in the stove and chimney and will not produce a satisfactory heat output. **Wood that is not properly dry (‘dry’ is considered to be less than 20% internal moisture content) uses up energy from the burn process to evaporate the water inside the wood thus creating very poor conditions for combustion.** The main cause of burning problems with wood stoves is due to excessively damp wood. Wood can appear perfectly dry on the outside but still contain 40-50% water on the inside. A moisture meter can be purchased from some stove and equipment suppliers if you wish to check your wood source is correct.

### **6.5 Notes on Burning Solid Fuel**

See section 6.6 on lighting the stove. After the fire has become established close the airwash until it is approximately 25% open and use the primary air control to set the burn rate. De-ash the stove by using a poker before adding new fuel. Open the primary air 100% for a few minutes before refuelling to establish a good hot bed. Leave the primary air fully open for 2-3 minutes after adding the new fuel and then adjust until approximately 25% open to achieve nominal output. With experience you will learn to adjust the controls to establish personal settings. It is better to refuel little and often, this burns the fuel more efficiently and prolongs the life of the stove. **Please view the guidance note on burning solid fuel at the back of this manual.**

## **6.6 Lighting the Stove**

We recommend that you have two or three small fires before you operate your stove to its maximum heat output. This is to allow the paint to cure in steadily and to give a long service life of the paint finish. During this curing in process you may notice an unpleasant smell whilst the finishes finally cure. It is non-toxic, but for your comfort we would suggest that during this period you leave all doors and windows open.

First, open the primary / tertiary and secondary air wash control fully. Load the firebox with plenty of starting fuel, i.e. paper, dry sticks and/or firelighters. Light the fire at the base leaving the primary and secondary air control fully open. Leave the door slightly ajar for 5 minutes to enhance initial starting and reduce smoke emission – **DO NOT** leave the stove unattended if the door is left ajar. Allow the fuel to reach a steady glow and build the fire up gradually by adding a few small sticks or well split logs at a time. Once you have a good fire bed established across the grate, further fuel can be added step by step as required. Don't be tempted to overload the fire bed with fuel all at once or close down the air controls too much until the fire is really well established for some time. Once the ignition period is well under way close the primary air and gradually reduce the secondary air wash control opening to establish the burning intensity you require (usually open 25% approx.). Leave the tertiary air controls open for high efficiency burning.

## **6.7 Re-fuelling**

When burning wood, the fire will die down as the fuel is consumed. When the flames disappear and the remainder is breaking down into glowing embers it is an appropriate time to consider re-fuelling. NOTE: If the flames disappear and there are still lumps of solid wood left this indicates excessive moisture in the wood or insufficient air supply/flue draught.

**Note:** To eliminate unwanted smoke emission, after loading new logs on to the fire, open the air wash control up fully for 3 to 5 minutes to boost the fire and get flames issuing from the top of the fuel as soon as possible. When flames are well established, reduce the air wash to the running setting required. Burning without flames above the fuel will create unnecessary smoke. Do not load fuel above the tertiary air inlet holes at the back of the firebox.

Loading 1 to 2 medium sized logs will produce a good output with reasonable burn time, generally small logs will burn up quicker producing a high output for a short time and a large log will take longer to burn and produce less output over a given time. These appliances are approved for intermittent operation on wood (0.75 to 1.5 hour burn cycles. The fire will then often need reviving by first de-ashing and then using small pieces of wood and plenty of air to get flames issuing from the wood again.

## **6.8 Shutting Down**

The stove will normally shut down by itself as the fuel is consumed. In order to shut down the stove for other reasons, close all air controls. If the controls are left in this position, the fire will eventually burn out. If you want to revive the fire open the secondary air controls fully.

**Warning!** - The stove will remain **very hot** for a considerable time after the fire has died down or been extinguished.

**Warning!- Petroleum coke fuels or household waste must not be burnt on this appliance.**

## **6.9 Seasonal Use**

Remove the baffles and inspect the inside of the stove and the flue ways and ensure they are 100% clear after a period of disuse, for example if the stove is not used during the warmer periods of the year. Also set the air controls half open to keep the appliance ventilated and stop the build-up of any moisture inside.

## **7.0 Safety Notes for your guidance**

***FIRES CAN BE DANGEROUS*** – Always use a fireguard in the presence of children, the elderly or the infirm.

**DO NOT OVERFIRE** – it is possible to fire the stove beyond its design capacity, this could damage the stove, so watch for signs of overfiring – if any part of the stove starts to glow red, the fire is in an overfire situation and the controls should be adjusted accordingly. Never leave the stove unattended for long periods without first adjusting the controls to a safe setting – careful air supply control should be exercised at all times.

Any unauthorised modifications of this appliance will render the guarantee null and void and could be potentially dangerous. Replacement parts should only be sourced from San Remo approved dealers

### **CO ALARMS**

Building Regulations require that whenever a new or replacement fixed solid fuel or wood/biomass appliance is installed in a dwelling a carbon monoxide alarms must be fitted in (A) same room as the appliance and, (B) either inside each bedroom or within 5 meters of the bedroom door measured along the path of the corridor. Ref: building regulations doc J. Further guidance on the installation of the carbon monoxide alarm is available in IS EN 50291-1:2010/A1:2012 and from the alarm manufacturer's instructions.

**Provision of an alarm must not be considered a substitute for either installing the appliance correctly or ensuring regular servicing and maintenance of the appliance and chimney system.**

Your installer should have fitted CO alarms in the same room as the appliance and, either inside each bedroom or within 5 meters of the bedroom door measured along the path of the corridor. Ref: building regulations doc J. If the alarm sounds unexpectedly, follow the instructions given under “Warning Note” below.

### **WARNING NOTE – FUME EMISSION**

Properly installed, operated and maintained this appliance will not emit fumes into the dwelling. Occasional fumes from de-ashing and refuelling may occur. However, persistent fume emission is potentially dangerous and must not be tolerated.

If fume emission does persist, then the following immediate action should be taken: -

1. Open doors and windows to ventilate room and all people then to leave the premises
2. Let the fire go out
3. Check for flue or chimney blockage and clean if required
4. Do not attempt to re-light the fire until the cause of the fume emission has been identified and corrected. If necessary seek expert advice.

The most common cause of fume emission is flue way or chimney blockage. For your own safety these must be kept clean at all times.

### **IN THE EVENT OF A CHIMNEY FIRE**

- Raise the alarm to let others in the house know.
- Call the Fire Brigade
- Reduce the appliance-burning rate by closing all air controls.
- Move furniture and rugs away from the fireplace and remove any nearby ornaments.
- Place a fireguard or spark guard in front of the stove.
- Feel the chimneybreast for sign of excessive heat.

If the wall is becoming hot, move the furniture away. Ensure that the Fire Brigade can gain access to your roof space in order to check this area for signs of fire spread.

## **8 Frequently Asked Questions**

**1 Do stoves require a chimney?** All of our multi fuel and wood burning stoves require a suitable chimney or professionally installed flue system.

**2 How do I clean the chimney?** You will require a chimney sweep to clean the chimney. It is essential to provide a dedicated chimney cleaning access door when installing the flue of the stove in some situations. In other situations the chimney can be swept through the firebox.

**3 Who should install my stove?** Heat Design want you to enjoy the maximum performance from your appliance. To ensure this, it is essential that they are installed correctly. We strongly recommend that your stove is installed by a suitably qualified installer e.g HETAS.

**4 How do I regulate the heat output?** Each stove has various air controls, which will allow you to easily regulate the heat output and refuelling rate.

**5 What warranty do I get?** Heat Design will replace, free of charge, any working part that fails (under normal operating conditions) within 12 months of purchase. Consumables such as glass, firebox lining boards or stove rope and adhesives are not guaranteed. ***A call out charge will apply if our engineer attends any stove problem that is not related to product failure.***

**6 Where can I get spare parts?** Your local Heat Design retailer will be pleased to supply spare parts and to provide any other information you require.

**7 Can the doors be left open while burning?** **NO** for safety and heat efficiency the doors should remain closed.

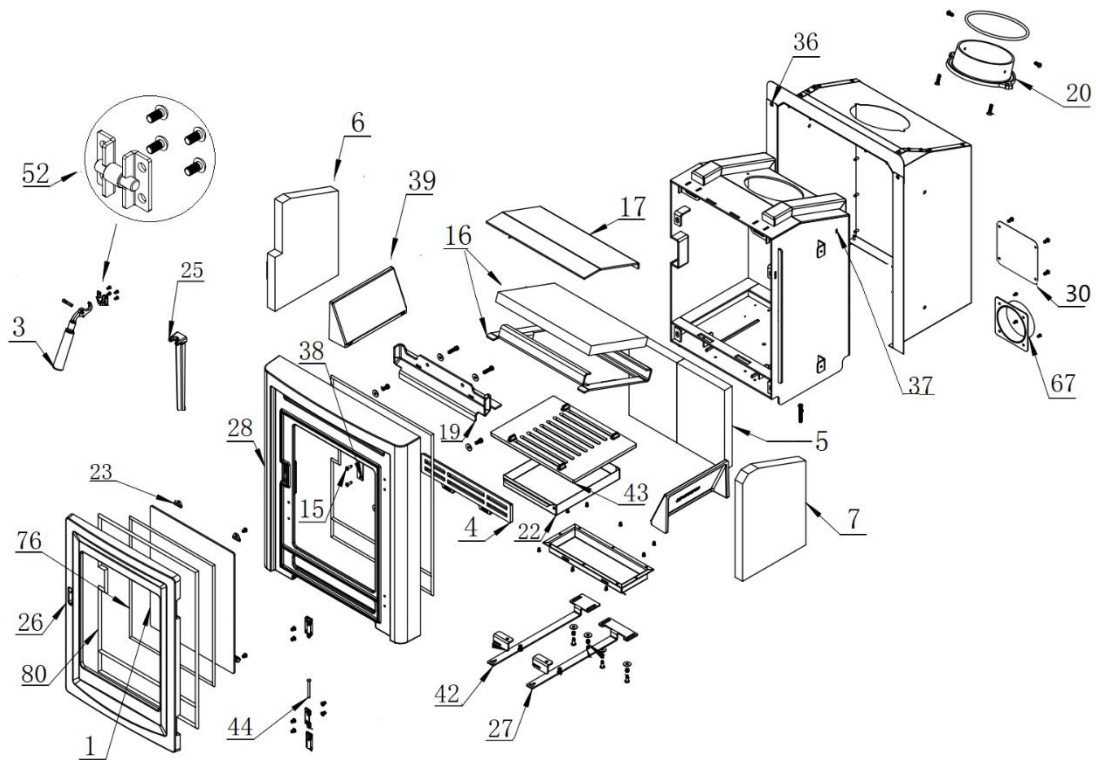
**8 Why is the stove smoking when lit?** A flue with back draught problems is almost certainly the cause of a smoking stove. Also check adequate ventilation is present. A qualified fitter should complete both a smoke pressure and flow test prior to fitting the stove to ascertain the integrity of the flue.

**9 Why should I “Run in” my stove?** To begin, light a series of small fires over a period of a few days to allow the paint finish to cure. The stove is finished with a highly heat resistant paint. The finish can be renovated with stove paint available from your local stove retailer. If the stove is not “run in” correctly, this may cause the paint to discolour and flake.

**10 What is Over Firing?** Your stove should never be used in a manner to cause over firing. Over firing can be caused by over loading the stove with fuel, and with primary controls open. If any part of stove glows "red" your stove is over firing and your draught control should be adjusted to restrict airflow to stove. Over firing can cause permanent damage to the appliance, which is not covered by warranty.

# 9. SPARE PARTS LISTS & CODES

## HD5 Black Insert V2



	Component	HD5 – Black Insert V2		Component	HD5 – Black Insert V2
1	Door Glass	Y1HD5BLI05D01B	26	Door	Y1HD5BLI05D32B
2	Glass Brackets and Screws	Y1HDID02E	27	Primary Air Control including handle	Y1HD5BLI05D33B
3	Door Handle assembly	Y1HD5BLI05D03A	28	Front	Y1HD5BLI05D34B
4	Coal Catcher	Y1HD5BLI05D04A	33	Blanking Plate - Ext Air	Y1HD5BLI05D39B
5	Back Plate/fireboard	Y1HD5BLI05D05B	36	Outer Casing	Y1HD5BLI05D43B
6	Side Plate LH Plate/ fireboard	Y1HD5BLI05D06B	37	Inner Casing	Y1HD5BLI05D44B
7	Side Plate RH Plate/ fireboard	Y1HD5BLI05D07B	39	Multi-fuel kit	Y1HD5BLI05D46A
16	Baffle Plate	Y1HD5BLI05D19B	42	Secondary Air Handle	Y1HD5BLI05D49B
17	Upper Baffle	Y1HD5BLI05D20A	43	Static Grate	Y1HD5BLI05D50B
19	Airwash Housing	Y1HD5BLI05D22B	44	Door Hinges	Y1HD5BLI05D51A
20	Collar	Y1HD5BLI05D24B	53	Door Latch roller	Y1HD5BLI05D61A
22	Ashpan	Y1HD5BLI05D28B	76	6mm Rope for Glass – 1280mm	
25	Ashpan tool	Y1HD5BLI05D31A	80	8mm Rope for Door – 2070mm	

## 10. Guidance Note

### Guidance Note on Burning

#### Solid Fuel / (Briquette Smokeless Fuel)

Please be aware that some smokeless fuels (Solid fuel / Briquettes) may cause the inner surface of the ceramic glass to turn cloudy or crystallise. This is caused by a reaction of some fuels during combustion process due to excess sulphur in the fuels. Unfortunately the glass manufactures will not warrant their products from this phenomenon.

Regrettably this cannot be controlled or prevented by the stove manufacture and therefore we cannot offer any warranty. There are no known safety issues, the only effect will be a visual one.

Solid fuel requires air from underneath the grate which in turn reduces the effects of the secondary airwash, you will notice a dark grey haze on the back of the ceramic glass. It is important to clean this off the glass when the stove is cold using a stove glass cleaner. Repeated firing of the stove without cleaning the glass daily, when burning solid fuel greatly increases the chances of glass turning cloudy / crystallising.

To minimise this condition we strongly recommend burning well-seasoned or kiln dried wood logs using only the airwash controls only, (Primary air controls closed).

**STOVE GLASS IS NOT COVER UNDER THE WARRANTY!**